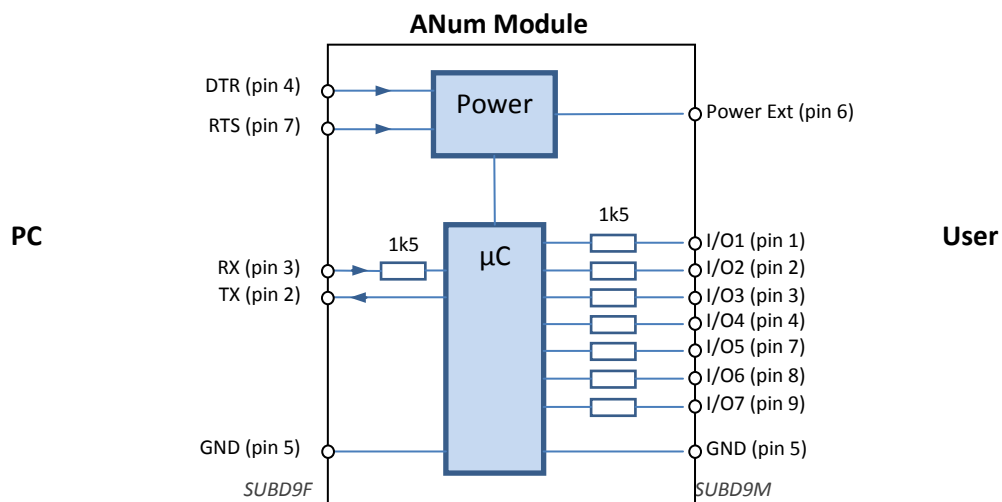


A Num module



Hardware description

A Num module allows to execute specific functions : digital acquisitions, analog acquisitions, frequency measures, SPI interface, I2C interface, Frame generation, digital outputs generation.



Softwares

Some softwares can be used with this module. These softwares are free of charge. Contact us for more informations.

FrameDecoder

Name : FrameDecoder.exe

Information : Software for frames decoding (CAN, Manchester, Serial, LIN).

Date : 14-03-2006

Version : 3.3 build 1

Garbi

Name : Garbi.exe
Information : Arbitraty generator with 4 outputs, 3 inputs, SPI functions...
Date : 08-06-2005
Version : 2.2 build 1

GeneMod

Name : GeneMod.exe
Information : Modulated frames generator.
Date : 14-09-2006
Version : 2.4 build 0

GeneRF

Name : GeneRF.exe
Information : RF Frames Generator for PLL.
Date : 14-04-2011
Version : 1.5 build 0

Roll

Name : Roll.exe
Information : Logical oscilloscope with 4 channels, 200kSamples/s, 500MSamples per channel.
Date : 28-02-2005
Version : 1.1 build 2

Connection

The module is powered by the RS232 link.

Some functions need more speed than 115.2kbds RS232 standard. So, a USB/RS232 interface is provided with the module and the baudrate can be rised to 1.2288Mbds.



The *prolific* driver is provided.
(for Windows XP, Vista, W7 and W8).

Contacts

Mail for technical questions : ANumsofts@free.fr

Mail for commercial questions : stephane.bruneton@microtec-agera.fr

Specific developments can be made as your request.